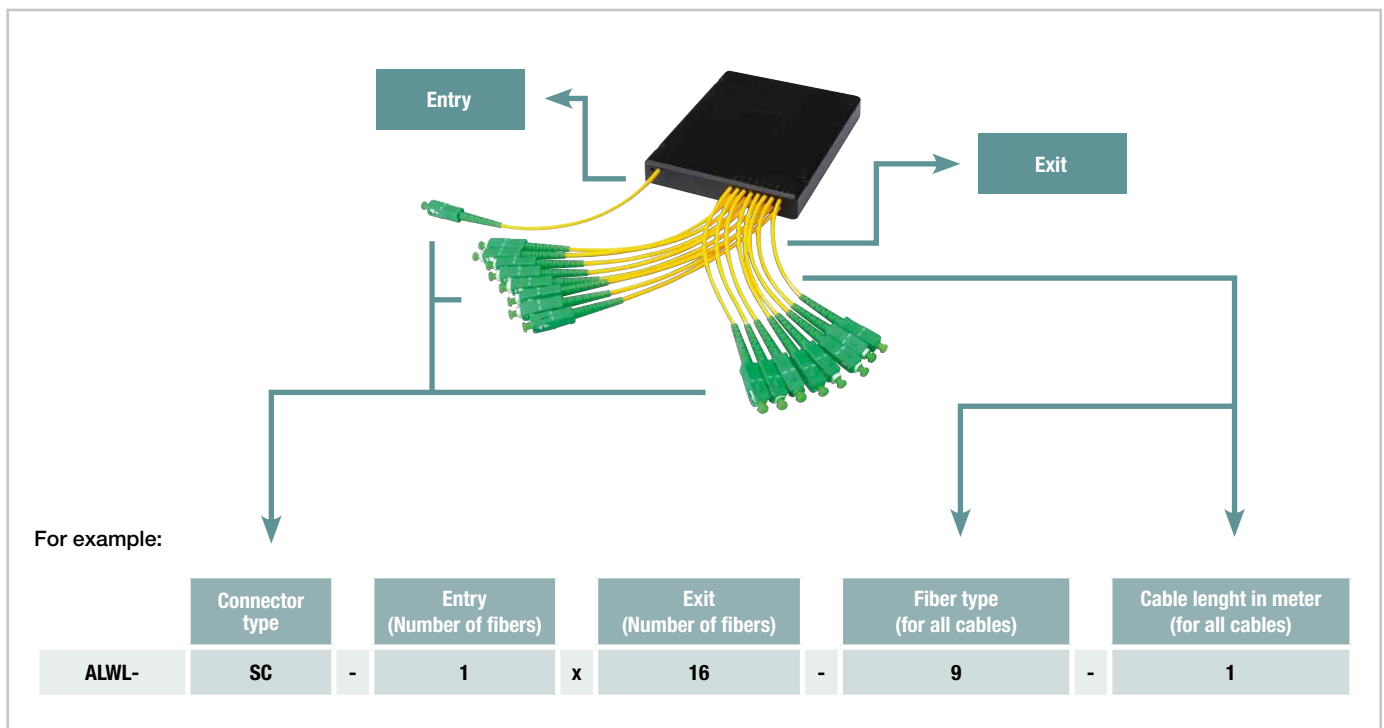


## Fiber Optic Splitter (PLC)

The (PLC) splitter is a compact device for high demand in the network area. His features, and the contained performances, make this device to an reliable and indispensable aide in the IT business.

Planar lightwave circuit (PLC) splitter is a type of optical power management device that is fabricated using silica optical waveguide technology. It features small size, high reliability, wide operating wavelength range and good channel-to-channel uniformity, and is widely used in PON networks to realize optical signal power splitting. All products meet GR-1209-CORE and GR-1221-CORE requirements.

- Low insertion loss
- Low PDL
- Good channel-to-channel uniformity
- Compact design
- Wide operating wavelength: From 1260 nm to 1650 nm
- Wide operating temperature: From -40°C to 85°C
- High reliability and stability
- Applications: FTTX Systems, PON Networks, CATV Links, Optical Signal Distribution
- Compliance: Telcordia GR-1209-CORE, Telcordia GR-1221-CORE, RoHS



### Available Connector types:

Connector:	SC	SC		FC	FC		LC	LC		ST	ST		E2000	E2000
Polish:	APC	UPC		APC	UPC		APC	UPC		APC	UPC		APC	UPC
Connector type:	SCA	SC		FCA	FC		LCA	LC		STA	ST		E2A	E20

### Available Fiber types:

9	=	OS2	Singlemode 9/125
1	=	OM1	Multimode 62,5/125
2	=	OM2	Multimode 50/125
3	=	OM3	Multimode 50/125
4	=	OM4	Multimode 50/125